

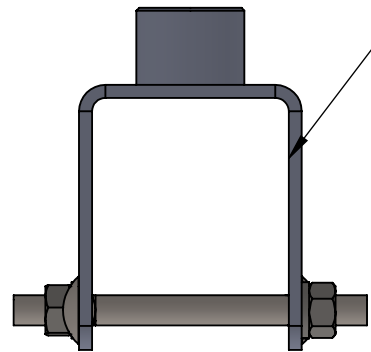
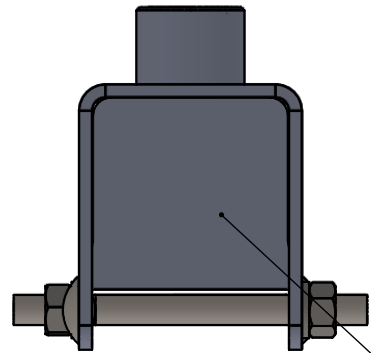
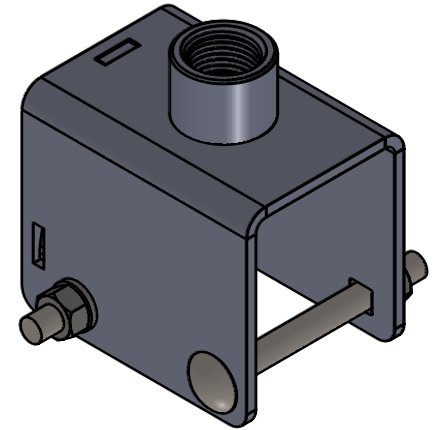
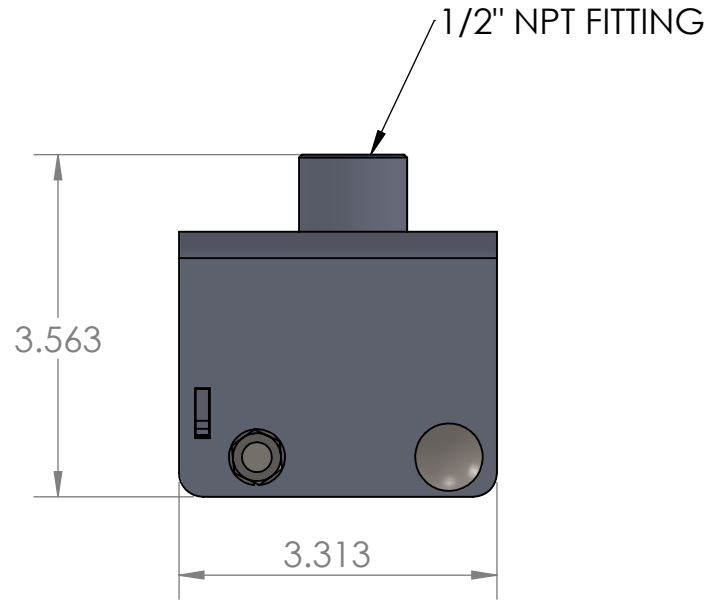
## 2inBOOM OVERVIEW

### 2inBOOM FEATURES:

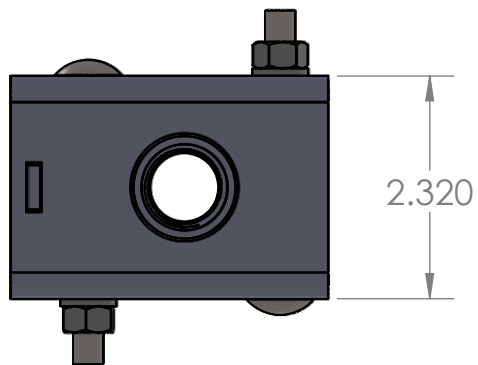
- BOOM MOUNTS TO VARIOUS TOWERS WITH APPROPRIATE BRACKET
- BOOM LENGTH CONFIGURABLE
- BOOM TUBE IS COMMON 2" SQUARE STEEL TUBE
- A VARIETY OF SENSORS ARE AVAILABLE FOR MOUNTING ON BOOM



**2inBOOM**  
SENSOR BRACKET

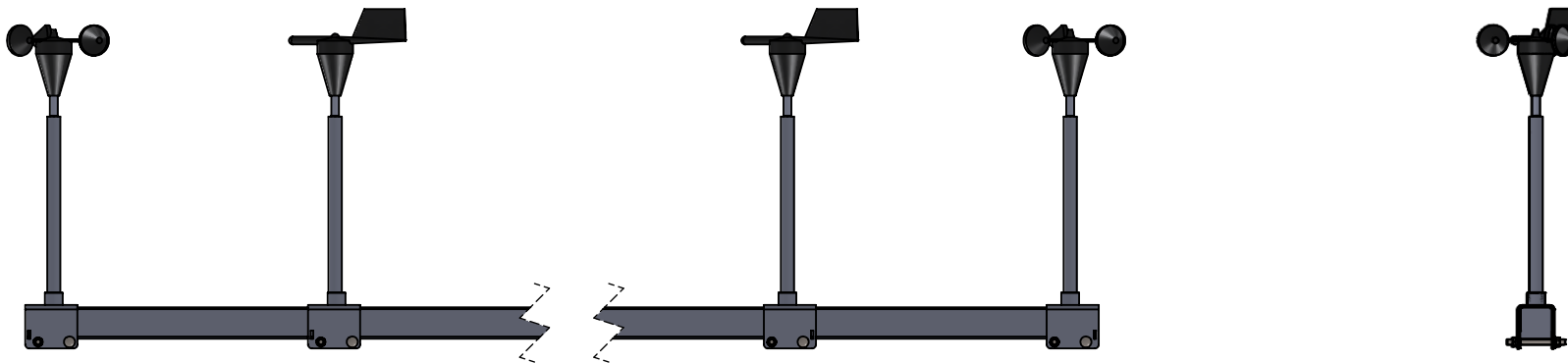
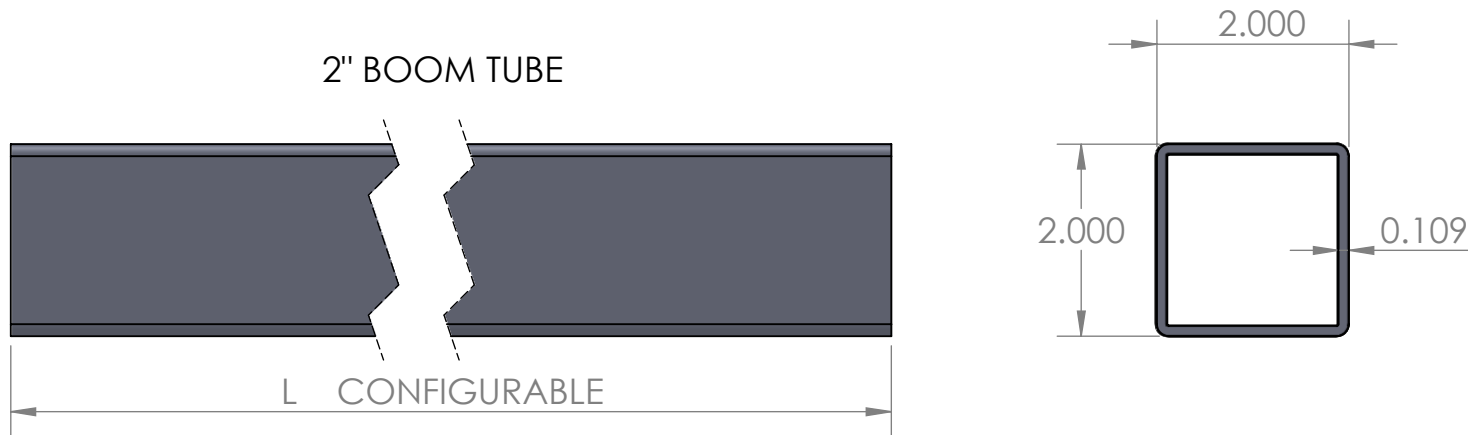


AVAILABLE WITH ENDCAP (FOR TUBE END INSTALL)  
AND WITHOUT ENDCAP (FOR TUBE CENTER INSTALL)



INSTALLATION AND ADJUSTMENT REQUIRES ONLY A 1/2" WRENCH

**2inBOOM**  
BOOM TUBE DIMENSIONS



SENSORS, SENSOR PLACEMENT, HEIGHT, AND BOOM LENGTH CAN BE CUSTOMIZED FOR EACH INSTALLATION