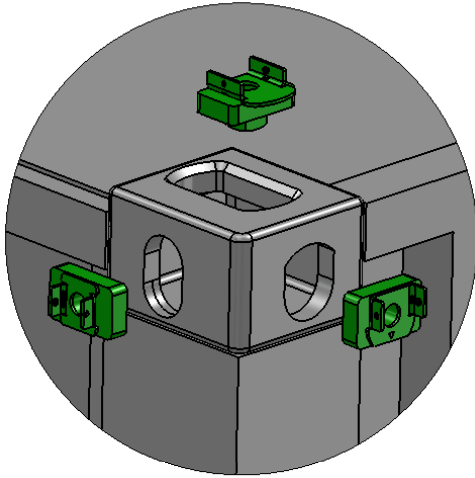
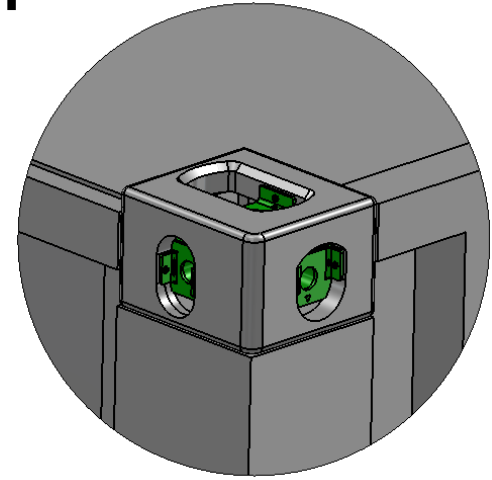


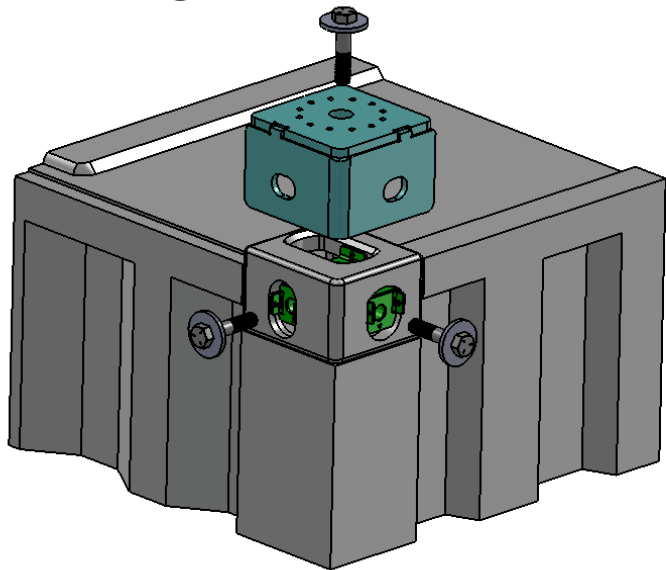
Step 1: Place corner nuts in corner fitting. Match styles with drawing below. Slide sheet metal for top piece up against outside edge. Tighten set screws using supplied 1/8" ball end hex driver. This will hold nuts during next step.



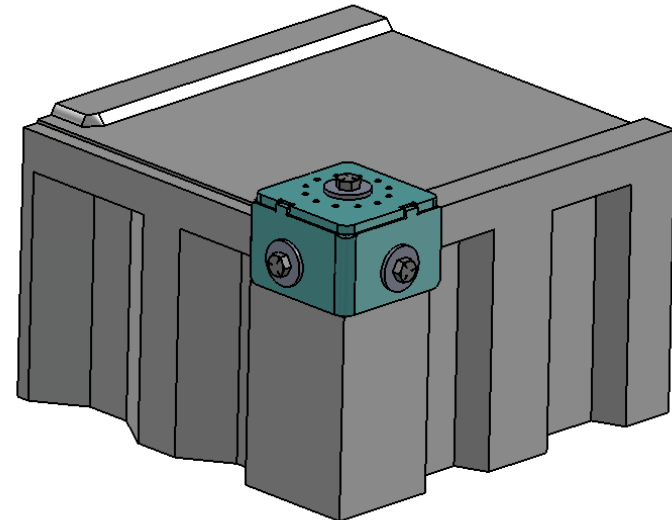
becomes



Step 2: Put corner base weldment over corner fitting. Install three 3/4"-10 bolts and thick washers. Start each by hand and then tighten with 1-1/8" socket.



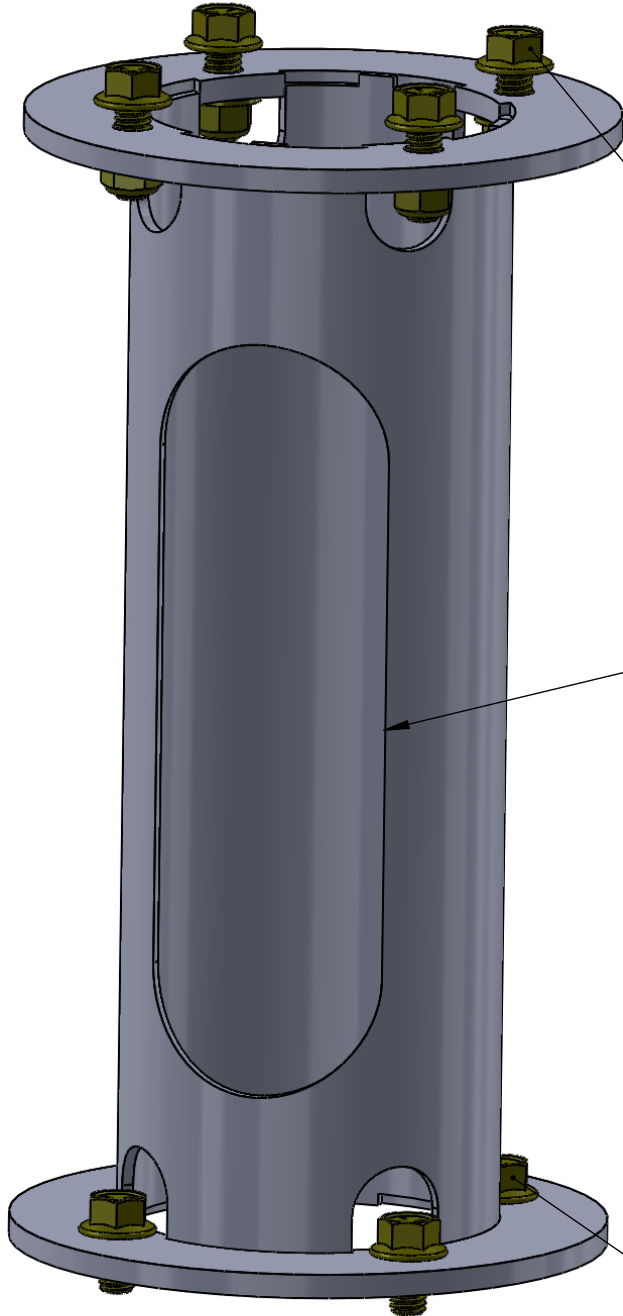
becomes



Step 3: Attach NATO antenna mast

Use longer 3/8"-16 bolts and flanged nuts for attaching NATO antenna to mast.

Tighten using 9/16" wrench and socket.



Route cable(s) through opening.

Use four short 3/8"-16 bolts to attach to container mount. Select best orientation for cable routing.

Tighten bolts using 9/16" end wrench.