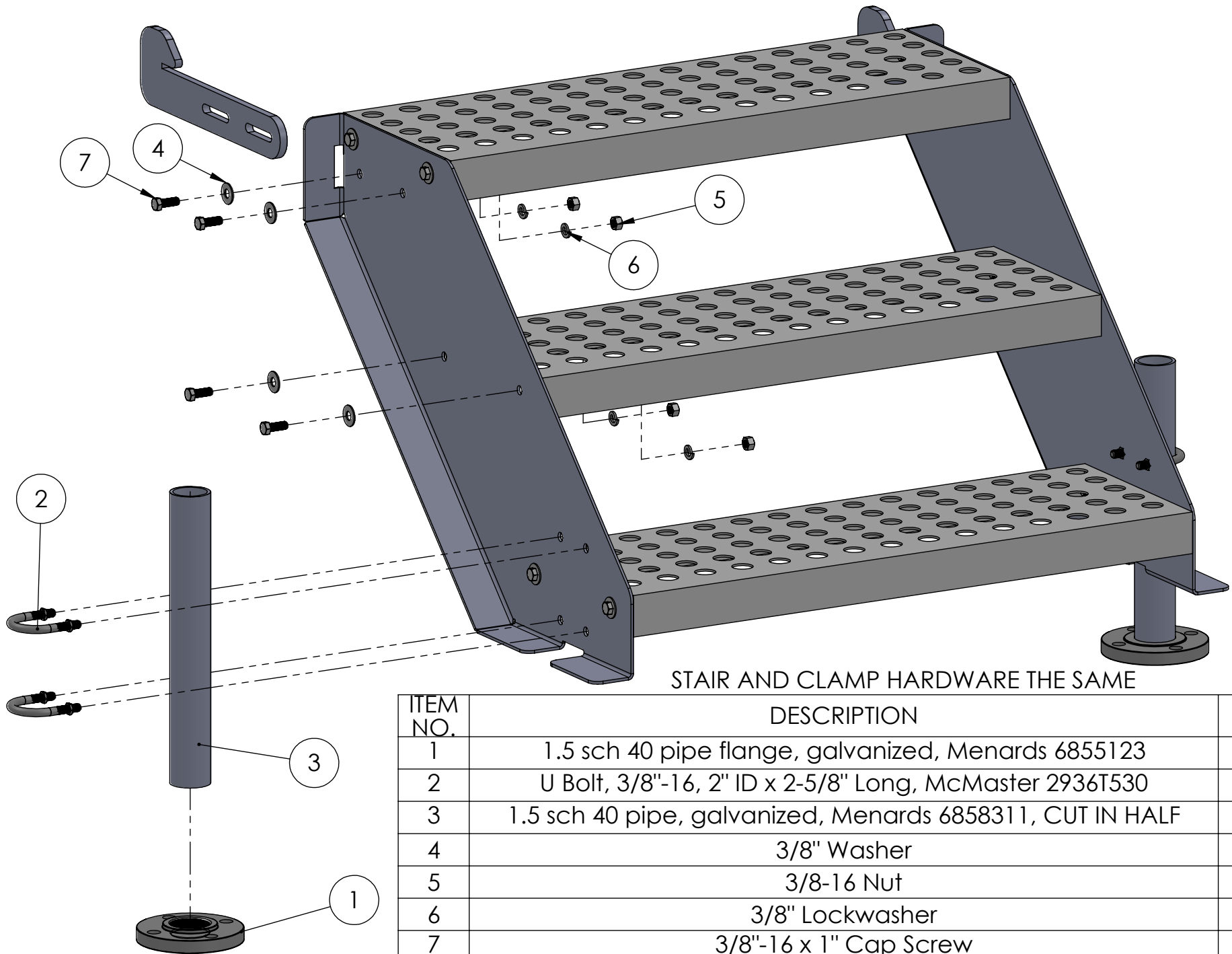


STAIR ASSY



STAIR AND CLAMP HARDWARE THE SAME

ITEM NO.	DESCRIPTION	QTY.
1	1.5 sch 40 pipe flange, galvanized, Menards 6855123	2
2	U Bolt, 3/8"-16, 2" ID x 2-5/8" Long, McMaster 2936T530	4
3	1.5 sch 40 pipe, galvanized, Menards 6858311, CUT IN HALF	1
4	3/8" Washer	16
5	3/8-16 Nut	16
6	3/8" Lockwasher	16
7	3/8"-16 x 1" Cap Screw	16

INSTALLATION:

1. EXTEND CLAMP JAWS (ON STAIRS
2. PLACE STAIRS ON CONTAINER
3. PULL IN CLAMP JAWS AND TIGHTEN



INSTALL STAIRS NEXT TO FORK POCKET