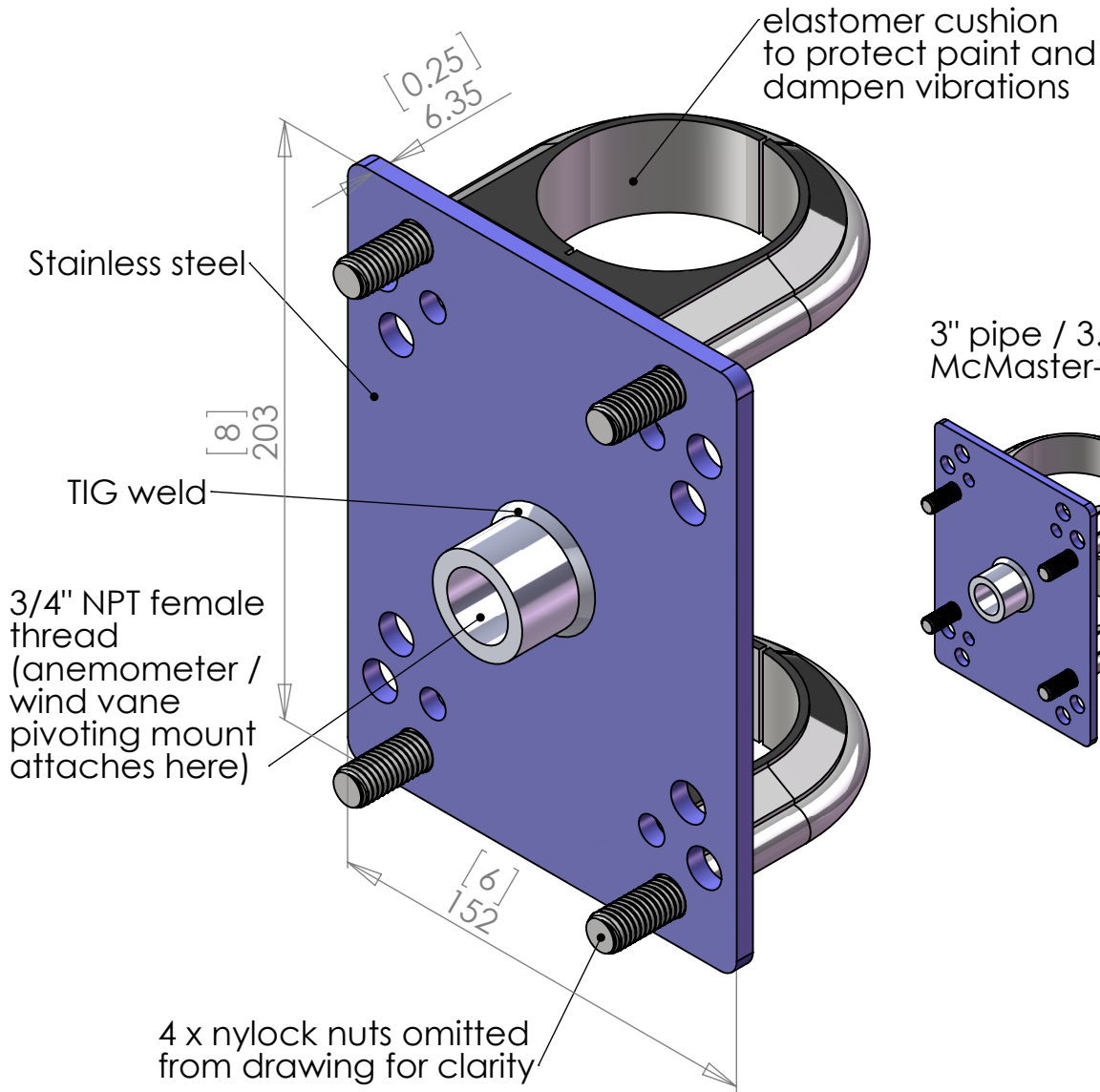


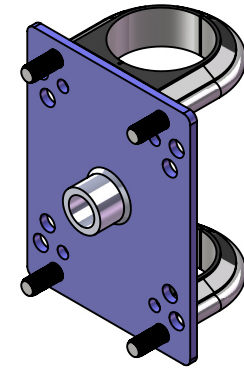
Universal tubular boom attachment for pivoting mount



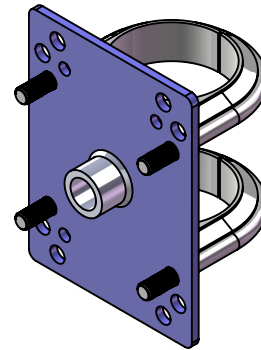
4 x nylock nuts omitted from drawing for clarity

Note: nylon locking nuts omitted for clarity

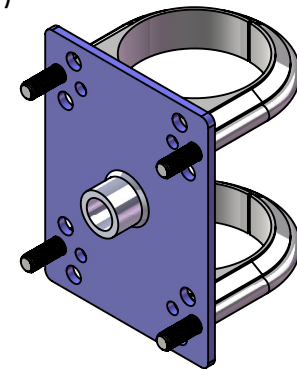
2-1/2" pipe / 2.875" actual
McMaster-Carr U-bolt P/N:
3176T37 (zinc)
3176T17 (SS)



3" pipe / 3.5" actual
McMaster-Carr U-bolt P/N:
3176T38 (zinc)
3176T18 (SS)



3-1/2" pipe / 4" actual
McMaster-Carr U-bolt P/N:
3176T39 (zinc)
3176T19 (SS)



4" pipe / 4.5" actual
McMaster-Carr U-bolt P/N:
3176T41 (zinc)
3176T21 (SS)

