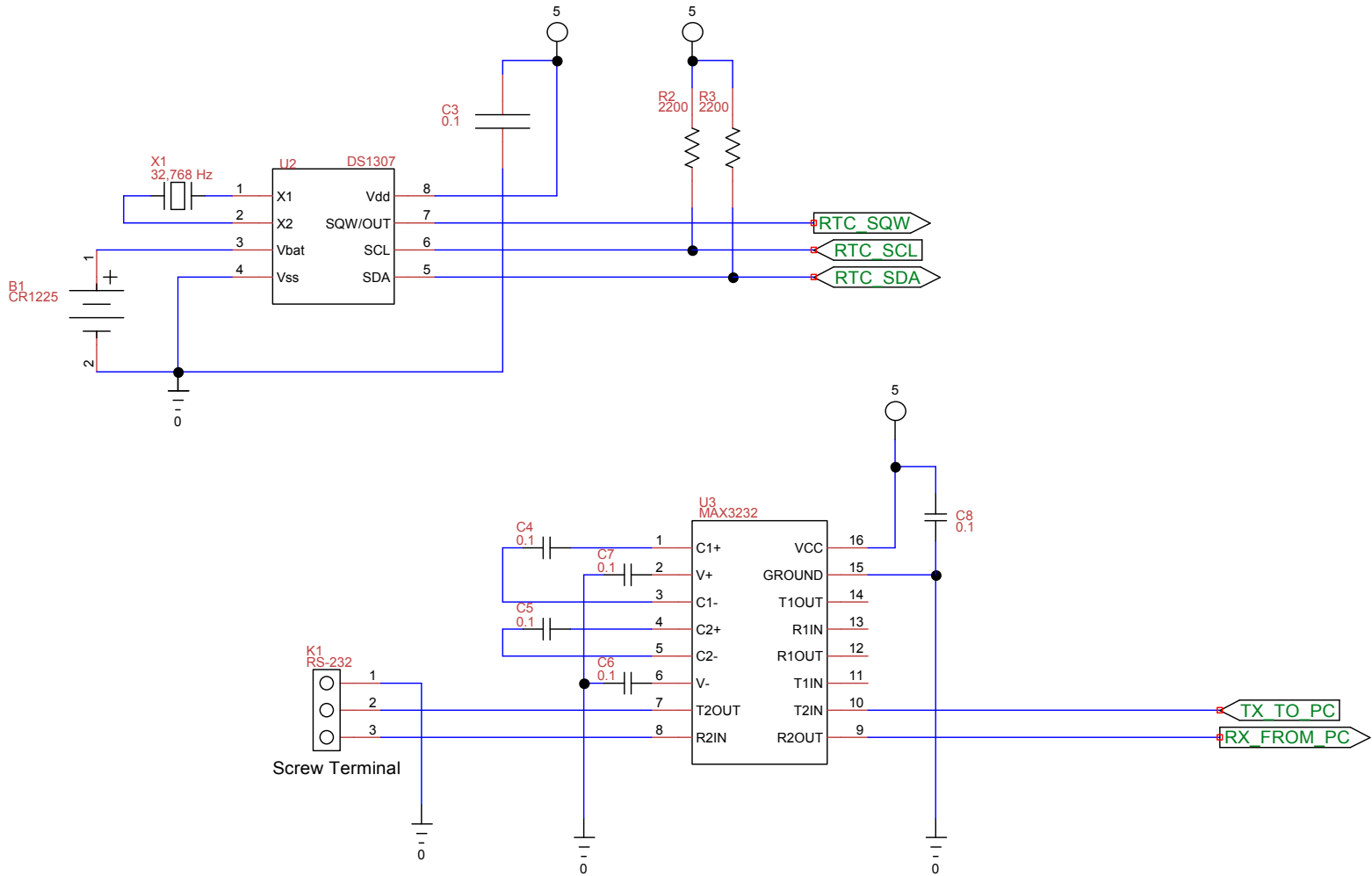
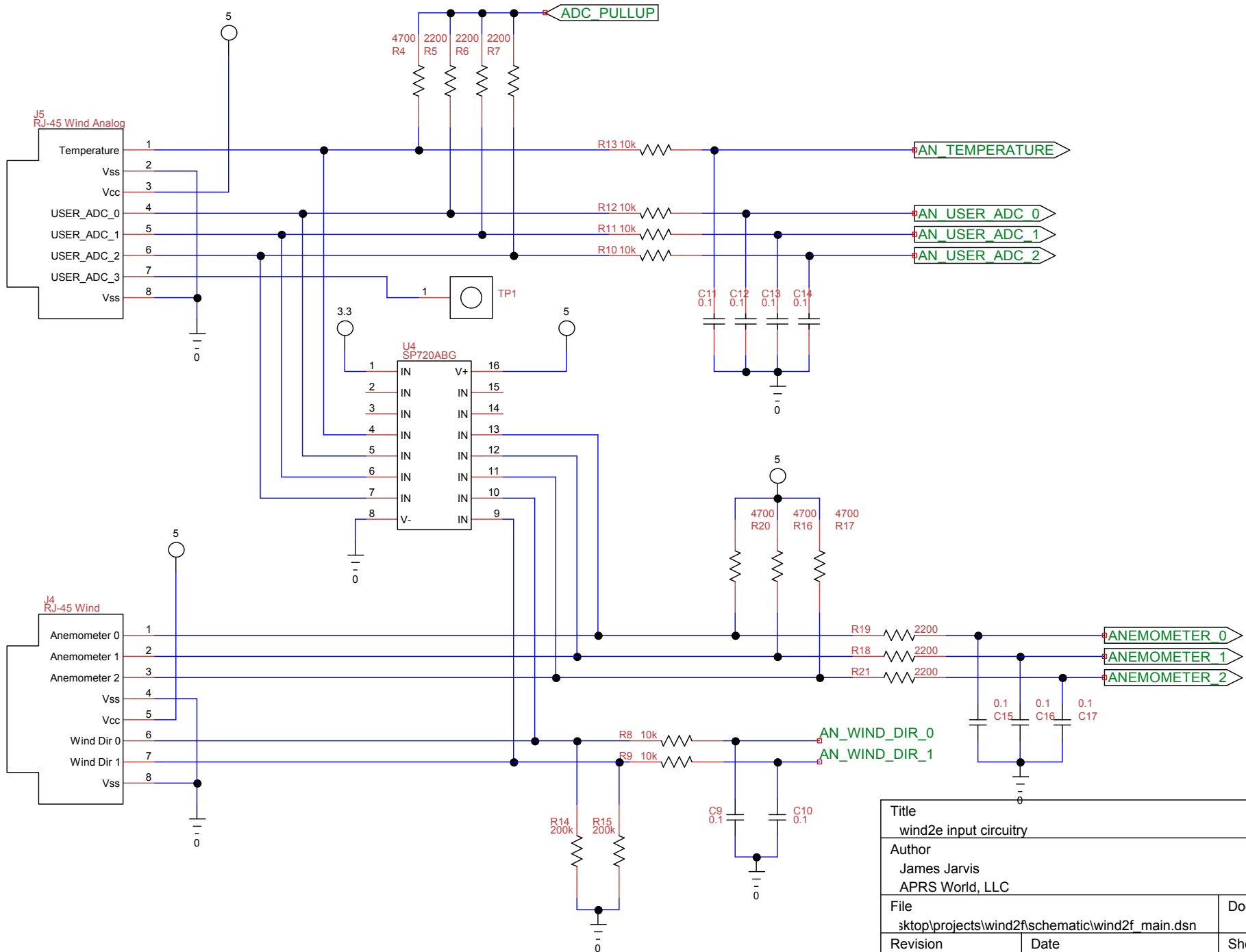


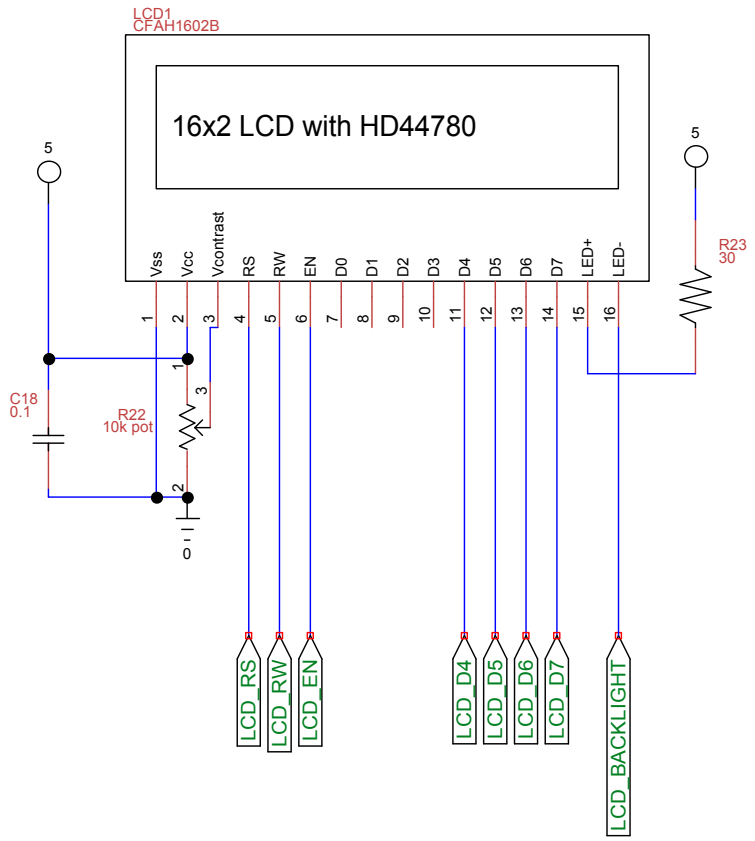
Title wind2e		
Author James Jarvis APRS World, LLC		
File sktop\projects\wind2f\schematic\wind2f_main.dsn		Document
Revision	Date 29 September 2006	Sheets 1 of 5



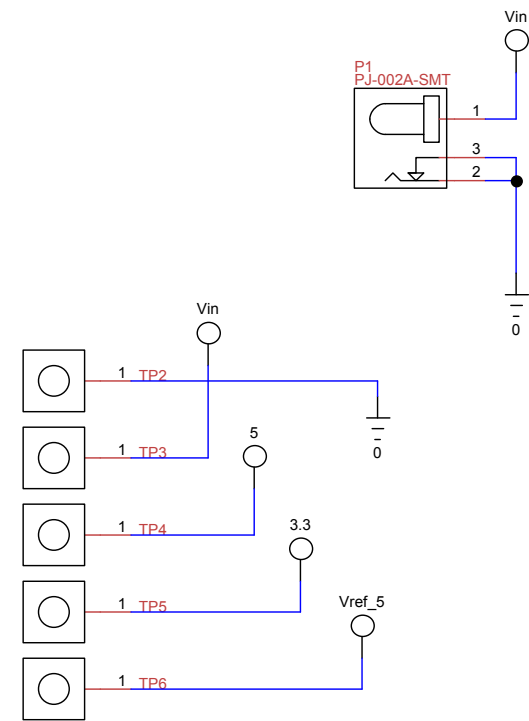
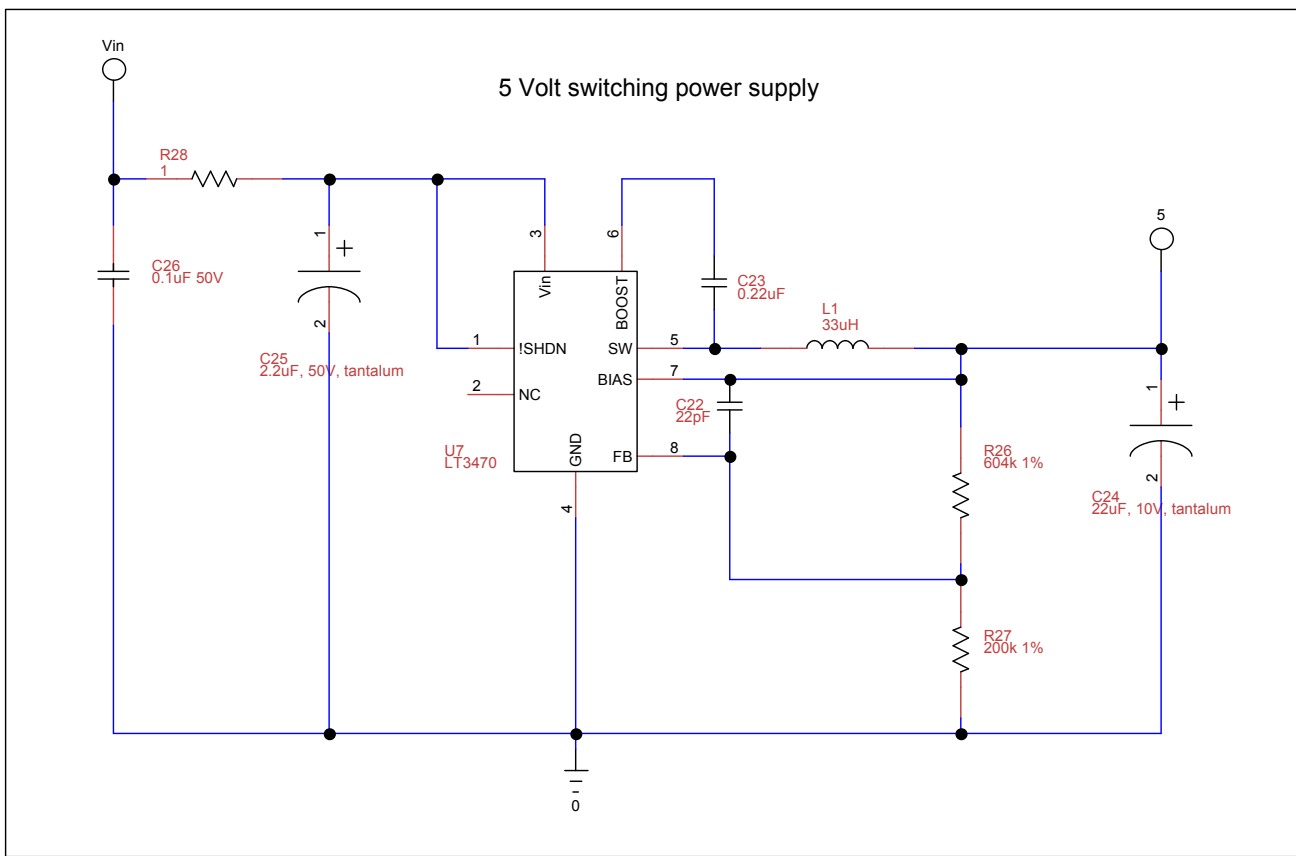
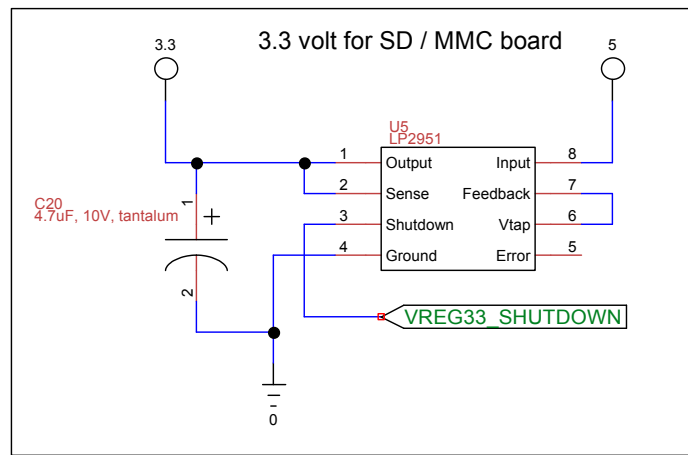
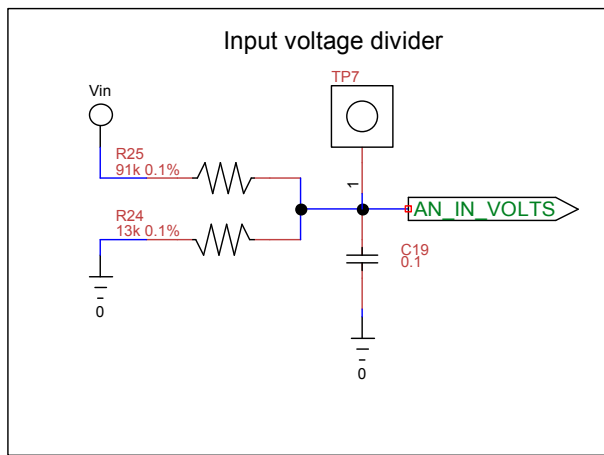
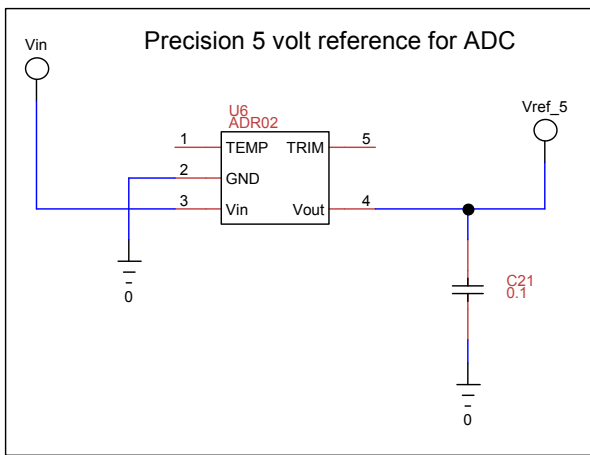
Title real time clock		
Author James Jarvis APRS World, LLC		
File sktop\projects\wind2f\schematic\wind2f_main.dsn	Document	
Revision	Date 29 September 2006	Sheets 2 of 5



Title wind2e input circuitry		
Author James Jarvis APRS World, LLC		
File sktop\projects\wind2f\schematic\wind2f_main.dsn		Document
Revision	Date 29 September 2006	Sheets



Title wind2d LCD		
Author James Jarvis aprsworld		
File sktop\projects\wind2f\schematic\wind2f_main.dsn		Document
Revision rev2d	Date 24 October 2005	Sheets 4 of 5



Title wind2e power supply		
Author James Jarvis APRS World, LLC		
File sktop\projects\wind2f\schematic\wind2f_main.dsn	Document	
Revision	Date 29 September 2006	Sheets 5 of 5