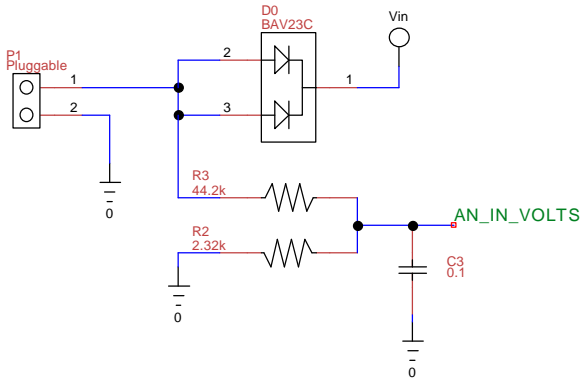
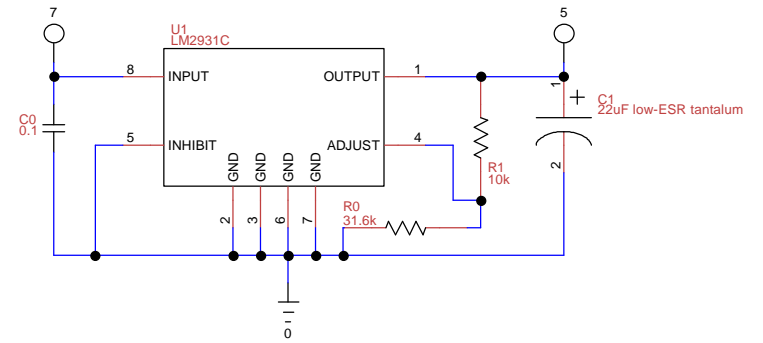


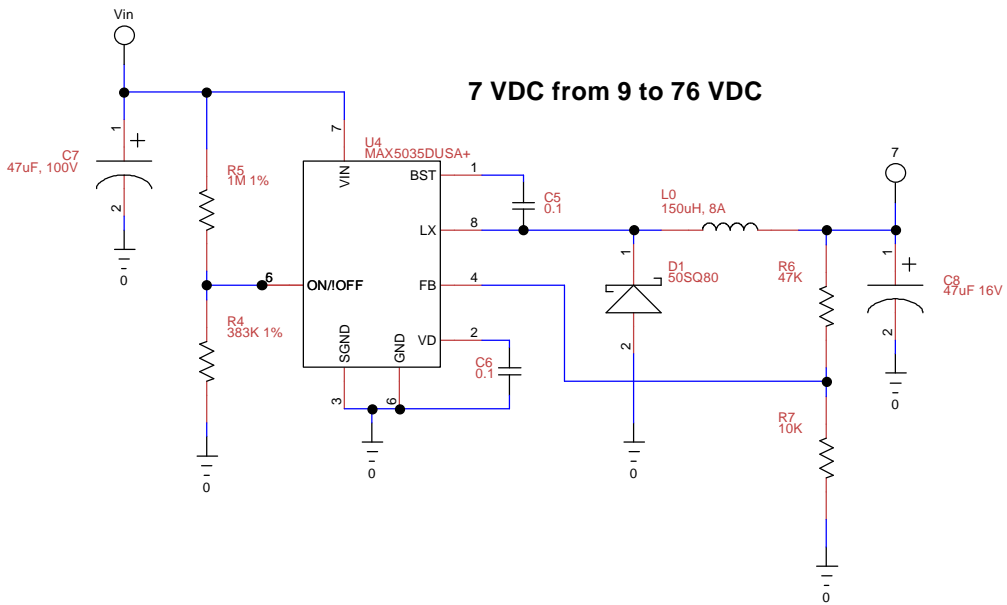
Input protection and divider



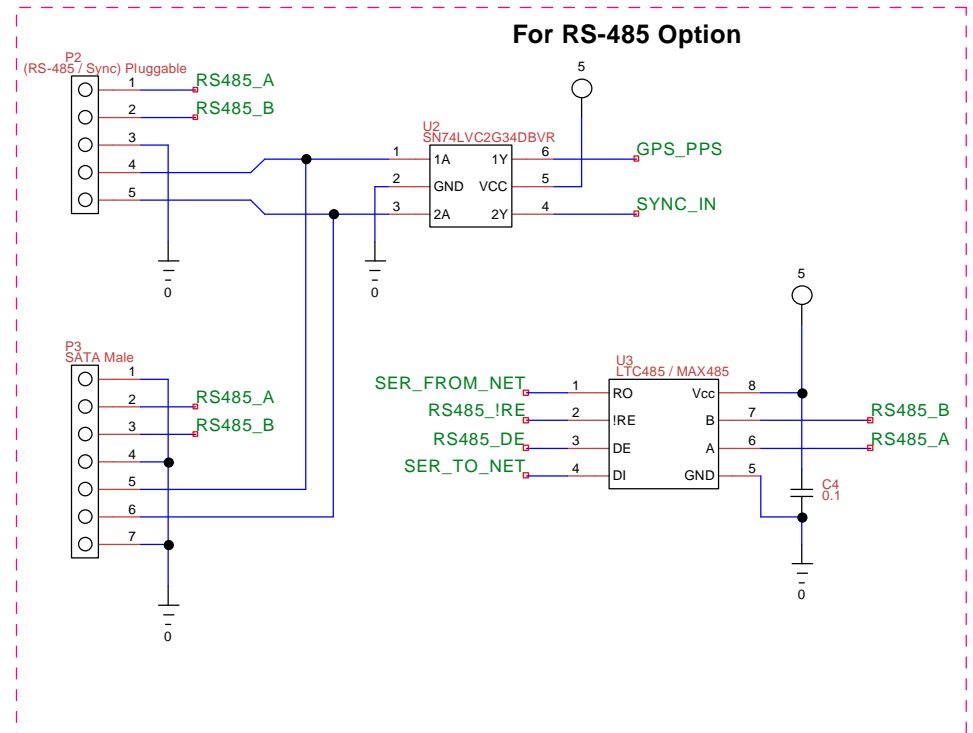
5 VDC from 7 VDC



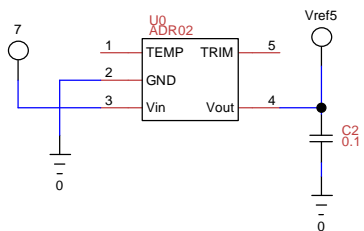
7 VDC from 9 to 76 VDC



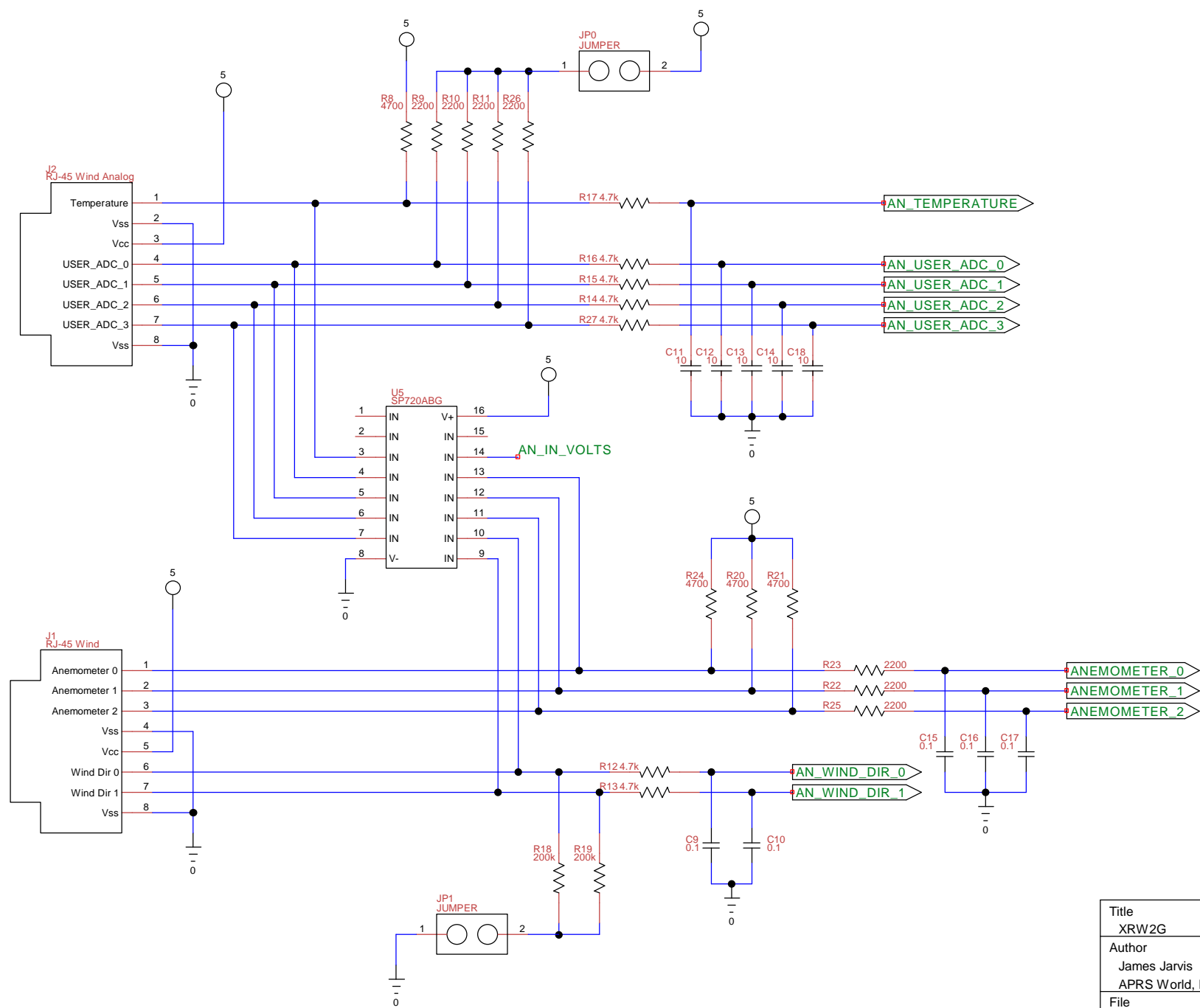
For RS-485 Option



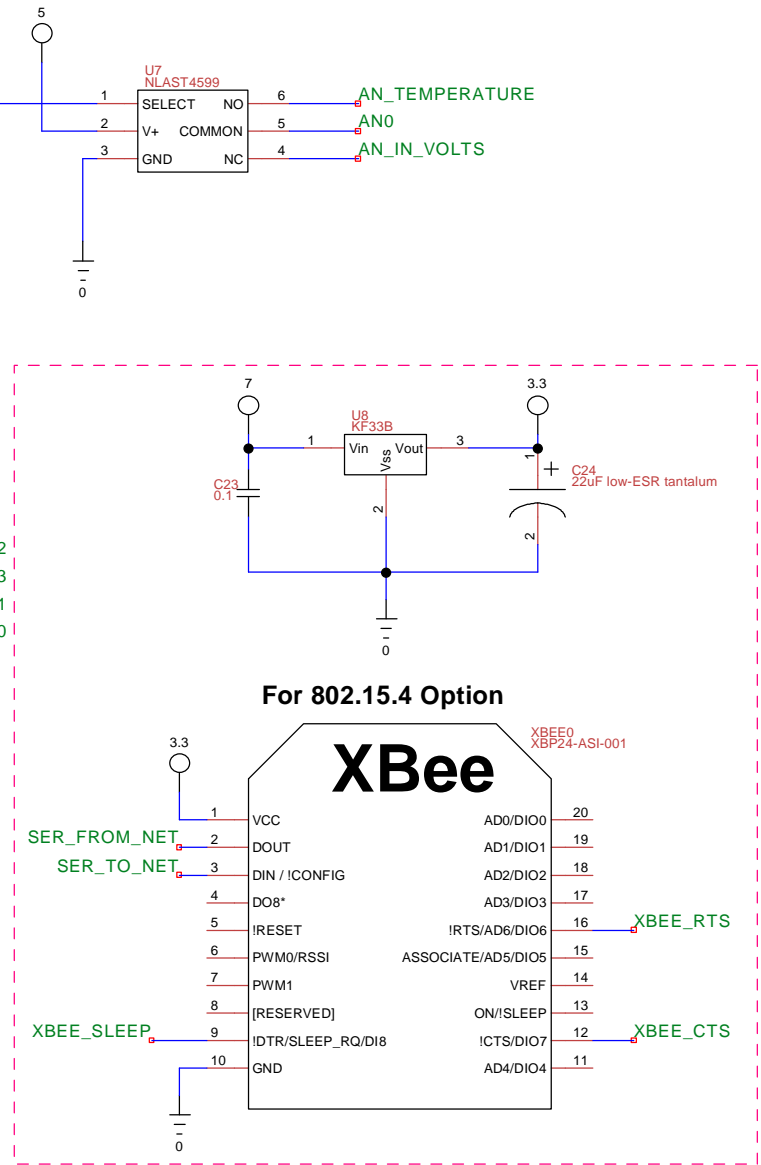
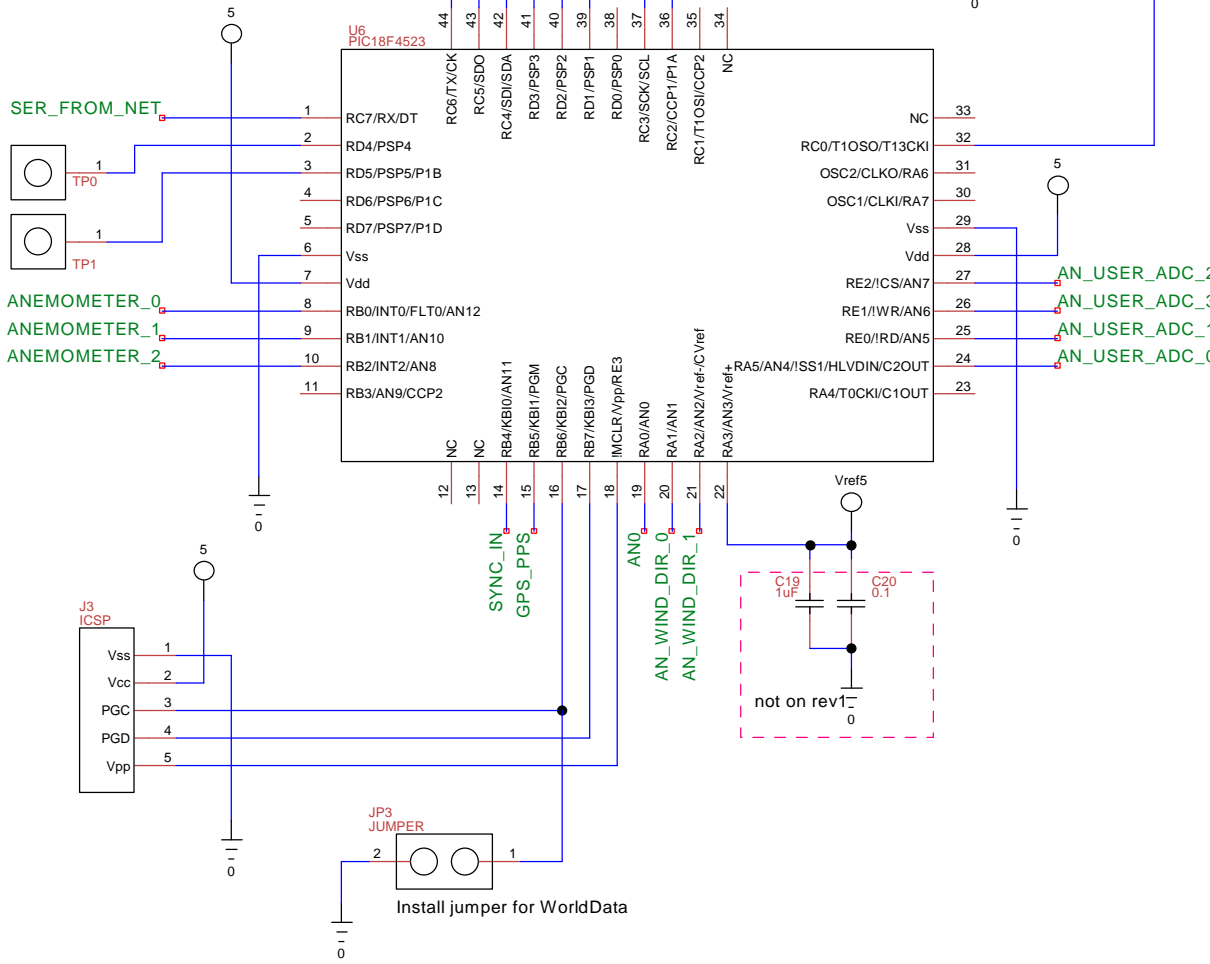
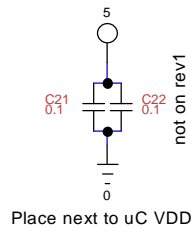
Precision 5 volt reference for ADC



Title XRW2G		
Author James Jarvis APRS World, LLC		
File	W:\TinyCad\xrw2g_rev3.dsn	Document
Revision 3.0	Date 2011-04-18	Sheets 1 of 3



Title XRW2G		
Author James Jarvis APRS World, LLC		
File	W:\TinyCad\xrw2g_rev3.dsn	Document
Revision 3.0	Date 2011-04-18	Sheets 2 of 3



Title XRW2G		
Author James Jarvis APRS World, LLC		
File W:\TinyCad\xrw2g_rev3.dsn	Document	
Revision 3.0	Date 2011-04-18	Sheets 3 of 3